

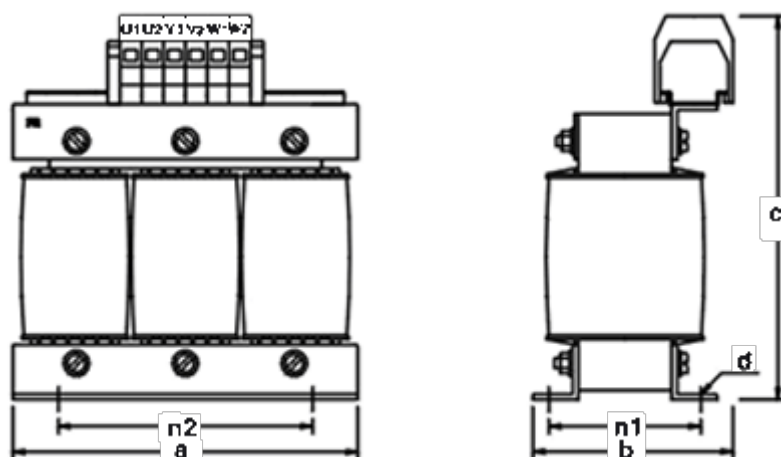
Data Sheet



Article number: 107688

Description: Line choke 184420034
for Vectron Active

Measures



a = 155

b = 100

c = 190

d = 8

n1 = 57

n2 = 130

Weight (kg) = 4.5